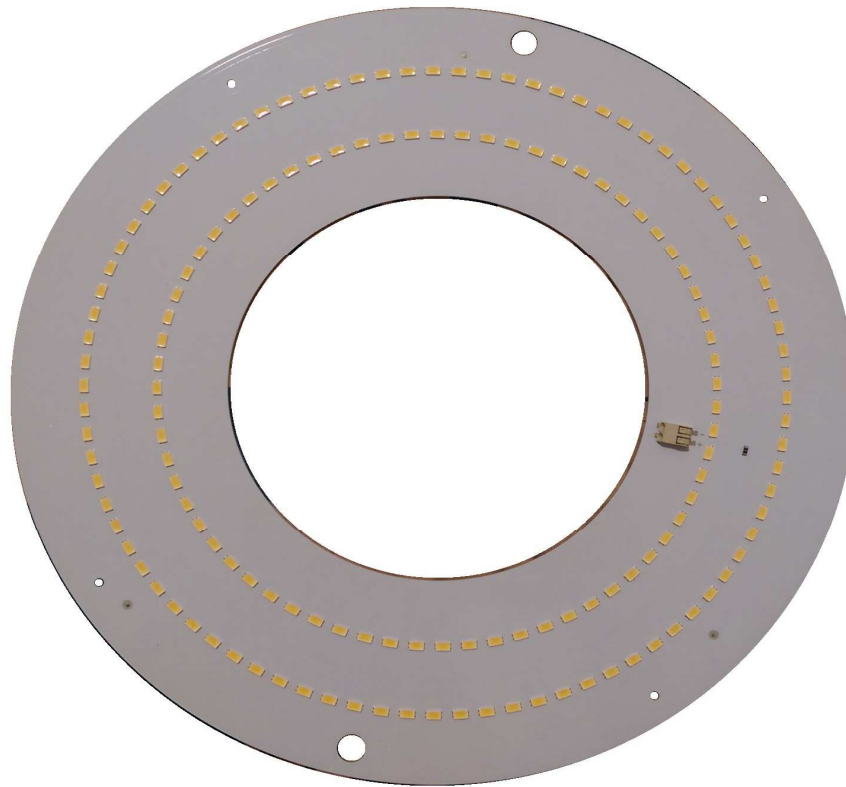


Dimensions: Ø 300mm



I max: 1080mA
U max: 53V
W max: 57W
PCB: aluminum 1,6mm

www.newled.eu

product code	ord.no.	color temp.	no. of LEDs	current	system power	lum.flux Tc=25°C	efficacy Tc=25°C	lum.flux Tc=65°C	efficacy Tc=65°C	voltage
		K	pcs	mA	W	lm	lm/W	lm	lm/W	V
NL-206A-153-CM-3000-1,05-82	53036-30	3000	153	1050	51,8	8851	171	8408	162	49,3
				925	45,6	7953	174	7555	166	
				800	39,4	7013	178	6662	169	
NL-206A-153-CM-3000-1,05-82	53036-40	4000		1050	51,8	9371	181	8903	172	
				925	45,6	8421	185	8000	175	
				800	39,4	7426	188	7054	179	
NL-206A-153-CM-3000-1,05-82	53036-50	5000		1050	51,8	9632	186	9150	177	
				925	45,6	8655	190	8222	180	
				800	39,4	7632	194	7250	184	

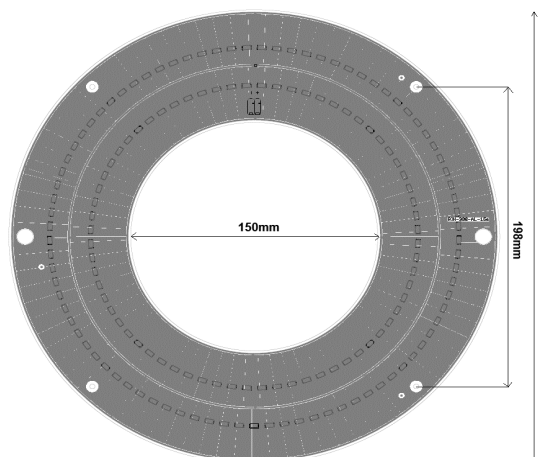
Color rendering index:
Ra>80

Beam angle:
120°

Ambient temperature Ta:
-25°C ... +55°C

Module temperature Tc:
max. +75°C

Lifetime L70:
>60.000h @ Tc=+75°C
(@ max. load)



Connectors:
1x 2-pin

