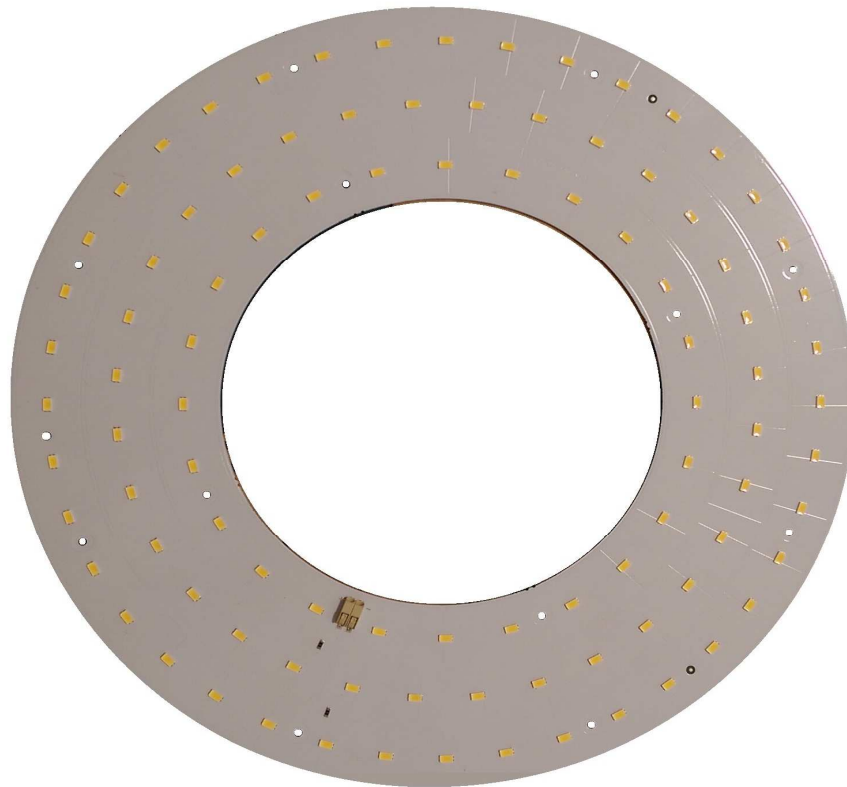


Dimensions: Ø 330mm



I max: 720mA
U max: 50V
W max: 36W
PCB: FR4 1,6mm

www.newled.eu

product code	ord.no.	color temp.	no. of LEDs	current	system power	lum.flux Tc=25°C	efficacy Tc=25°C	lum.flux Tc=65°C	efficacy Tc=65°C	voltage
		K	pcs	mA	W	lm	lm/W	lm	lm/W	V
NL-214F-96-CM-3000-0,70-82	53038-30	3000	96	700	32,5	5553	171	5276	162	46,4
				600	27,8	4855	174	4612	166	
				500	23,2	4125	178	3919	169	
NL-214F-96-CM-4000-0,70-82	53038-40	4000	96	700	32,5	5880	181	5586	172	46,4
				600	27,8	5141	185	4884	175	
				500	23,2	4368	188	4150	179	
NL-214F-96-CM-5000-0,70-82	53038-50	5000	96	700	32,5	6043	186	5741	177	46,4
				600	27,8	5284	190	5019	180	
				500	23,2	4489	194	4265	184	

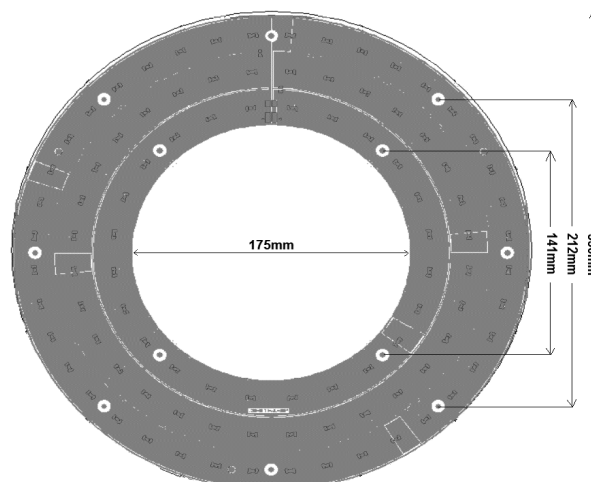
Color rendering index:
 Ra>80

Beam angle:
 120°

Ambient temperature Ta:
 -25°C ... +55°C

Module temperature Tc:
 max. +75°C

Lifetime L70:
 >60.000h @ Tc=+75°C
 (@ max. load)



Connectors:
 1x 2-pin

