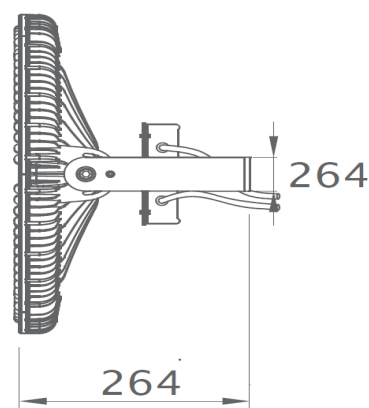
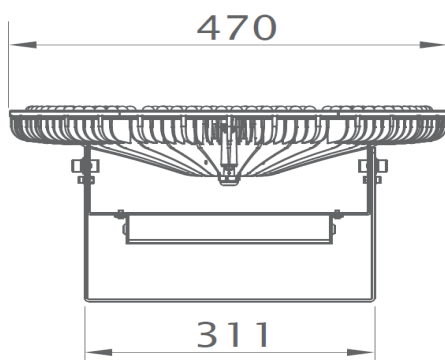
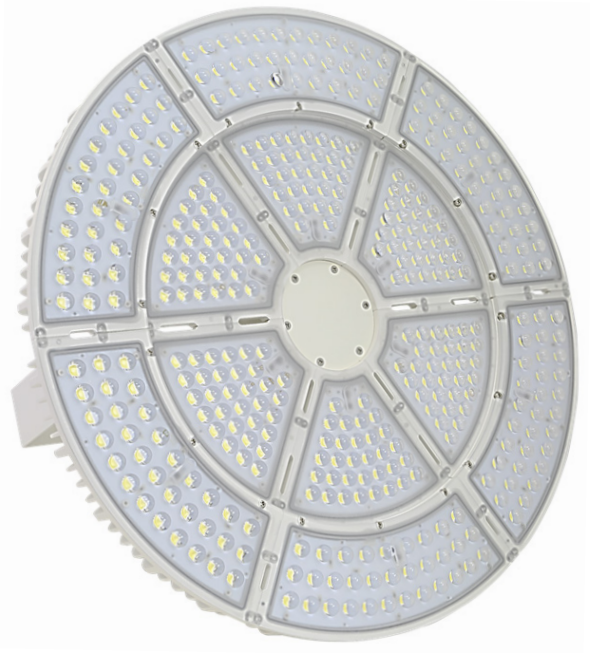


NL-HBL-470x264-490W-xx-z

PRODUCT SPECIFICATIONS

| | |
|----------------------------|-------------------------------|
| Product code | NL-HBL-470x264-490W-xx-z |
| Voltage | 90 V - 305 V |
| LED driver | Mean Well HLG-320H-36A |
| System power | 490 W |
| Frequency | 50–60 Hz |
| Power factor (PF) | > 0,95 |
| LED type | Alder AS-5258WxA2-C2C210-0303 |
| Number of LEDs | 384 pcs |
| Beam angle | 60°, 30° and 15° on request |
| PCB material | aluminum |
| Dimensions | ∅ 470 mm × 264 mm |
| Weight | 10 kg |
| Protection | IP65 |
| Operating temperature (tc) | -20° C – +68° C |
| Ambient temperature (ta) | -20° C – +45° C |
| Lifetime (L70) | 60 000 h |
| Color rendering index | Ra>80 |
| Housing color | white |



Low weight due to the use of magnesium alloy

Adjustable tilt angle

Sirius HBL 490W

INDUSTRIAL LUMINAIRE



PRODUCT FEATURES

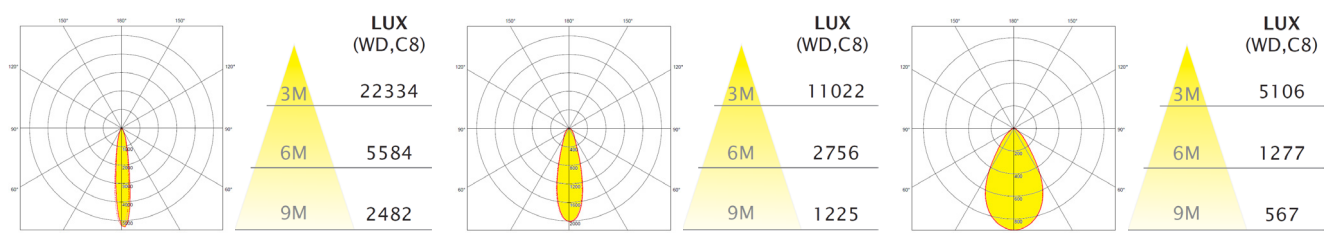
The Sirius 490W has a luminous intensity of over 70.000lm and is designed for high ceilings (hangars, shipyards, etc.) using high-performance optics. High IP protection also allows the illumination of sports fields from high poles.

Using a magnesium alloy, this powerful luminaire is surprisingly light compared to similar products. The low weight of the luminaire contributes to a simple installation.



COLOR TEMPERATURE AND LUMINOUS FLUX

| order no. | product code | diffuser / angle | CCT | color temperature | luminous flux |
|-----------|---------------------------|------------------|---------|-------------------|---------------|
| 98111-50 | NL-HBL-470x264-490W-WD-60 | lenses / 60° | 5 000 K | daylight white | 72 700 lm |
| 98111-40 | NL-HBL-470x264-490W-WN-60 | lenses / 60° | 4 000 K | normal white | 72 700 lm |
| 98112-50 | NL-HBL-470x264-490W-WD-30 | lenses / 30° | 5 000 K | daylight white | 72 700 lm |
| 98112-40 | NL-HBL-470x264-490W-WN-30 | lenses / 30° | 4 000 K | normal white | 72 700 lm |
| 98113-50 | NL-HBL-470x264-490W-WD-15 | lenses / 15° | 5 000 K | daylight white | 64 300 lm |
| 98113-40 | NL-HBL-470x264-490W-WN-15 | lenses / 15° | 4 000 K | normal white | 64 300 lm |



With several possible beam angles, the luminaire is ideal for installation in different heights and situations.