

Sirius HBL 850W

INDUSTRIAL LUMINAIRE



NL-HBL-521x584-850W-xx-z

PRODUCT SPECIFICATIONS

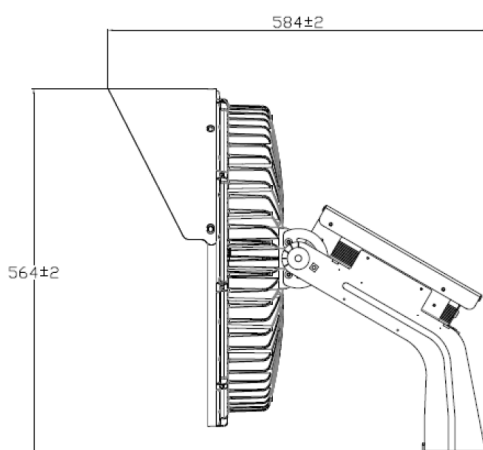
Product code	NL-HBL-521x584-850W-xx-z
Voltage	100 V - 277 V
LED driver	MEAN WELL
System power	850 W
Frequency	50–60 Hz
Power factor (PF)	> 0,95
LED type	Alder AS-5258WxA2-C2C210-0303
Number of LEDs	576 pcs
Beam angle	60°, 30°
PCB material	aluminum
Dimensions	∅ 521 mm × 584 mm
Weight	29 kg
Protection	IP66
Operating temperature (tc)	-20° C – +68° C
Ambient temperature (ta)	-20° C – +45° C
Lifetime (L70)	60 000 h
Color rendering index	Ra>80



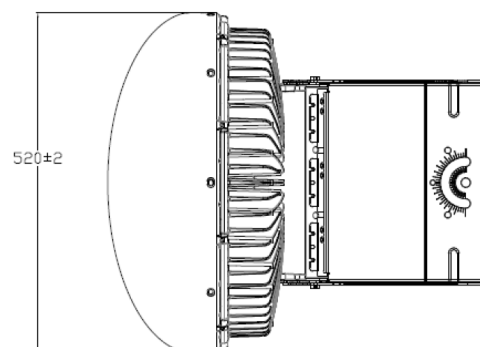
IP66

60°

30°



Robust aluminum construction



Adjustable tilt angle



Sirius HBL 850W

INDUSTRIAL LUMINAIRE



PRODUCT FEATURES

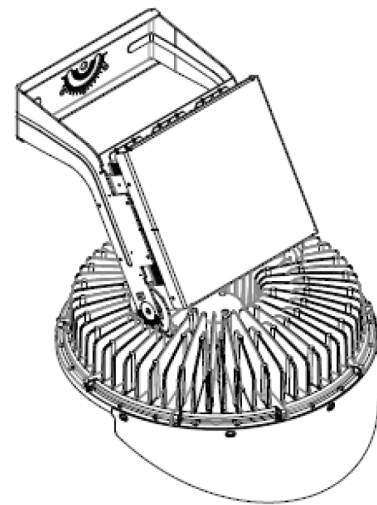
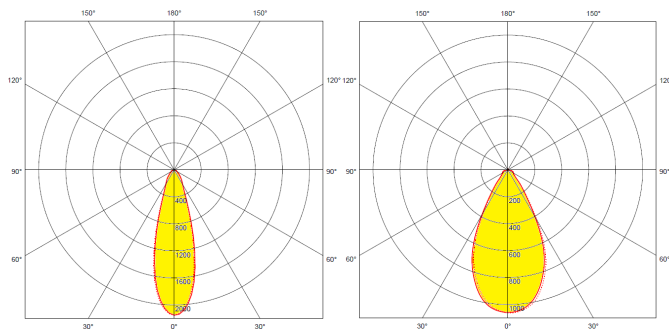
The Sirius luminaires are designed for buildings with high ceilings (hangars, shipyards, etc.). High IP protection also allows the illumination of sports fields from high poles.

The robust construction ensures excellent heat dissipation and is characterised with high strength.

The Sirius 850W is available in two versions with different beam angles: 60° and 30°.

COLOR TEMPERATURE AND LUMINOUS FLUX

order no.	product code	diffuser / angle	CCT	color temperature	luminous flux
98231-50	NL-HBL-521x584-850W-WD-60	lenses / 60°	5 000 K	daylight white	114 200 lm
98231-40	NL-HBL-521x584-850W-WN-60	lenses / 60°	4 000 K	normal white	114 200 lm
98232-50	NL-HBL-521x584-850W-WD-30	lenses / 30°	5 000 K	daylight white	119 000 lm
98232-40	NL-HBL-521x584-850W-WN-30	lenses / 30°	4 000 K	normal white	119 000 lm



With several possible beam angles, the luminaire is ideal for installation in different heights and situations.

SIMILAR PRODUCTS: Sirius HBL 490W

order no.	product code	diffuser / angle	CCT	color temperature	luminous flux
98111-50	NL-HBL-470x264-490W-WD-60	lenses / 60°	5 000 K	daylight white	72 700 lm
98111-40	NL-HBL-470x264-490W-WN-60	lenses / 60°	4 000 K	normal white	72 700 lm
98112-50	NL-HBL-470x264-490W-WD-30	lenses / 30°	5 000 K	daylight white	72 700 lm
98112-40	NL-HBL-470x264-490W-WN-30	lenses / 30°	4 000 K	normal white	72 700 lm
98113-50	NL-HBL-470x264-490W-WD-15	lenses / 15°	5 000 K	daylight white	64 300 lm
98113-40	NL-HBL-470x264-490W-WN-15	lenses / 15°	4 000 K	normal white	64 300 lm